

SELF STEER AXLE MAINTENANCE PROCEDURE



STEP 1

Lift axle so wheels are clear of the floor.

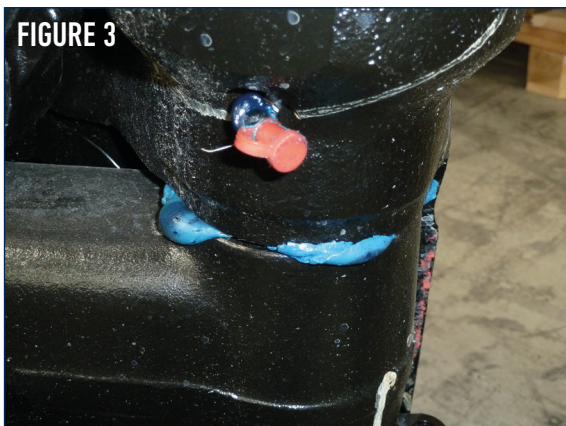


STEP 2

Rotate steer axle to full lock until a clearance is visible between the thrust washers. See figure 1.

STEP 3

Grease bottom lubrication nipple with BPW special long life grease ECO-Li Plus until fresh grease is forced out between the thrust washers. See Figure 2.



STEP 4

Grease top lubrication nipple with BPW special long life grease ECO-Li Plus until fresh grease is forced out. See Figure 3.

STEP 5

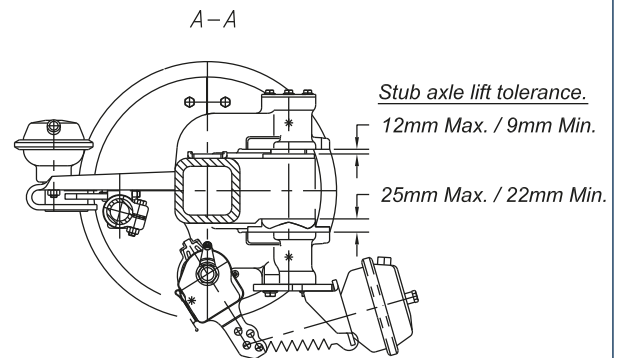
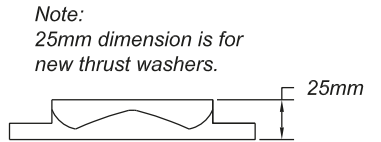
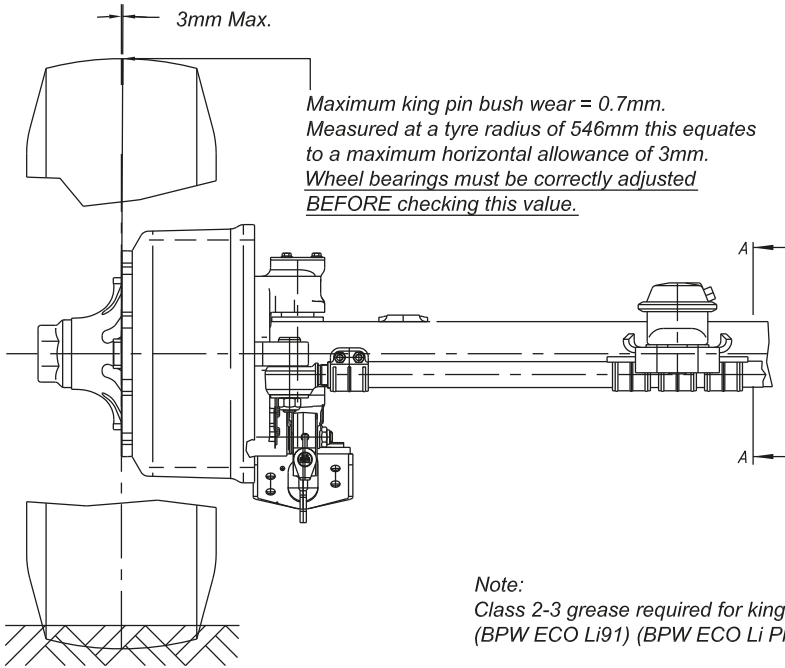
With axle still raised repeat steps 2 - 4 on the opposite wheel.

This process is to be repeated at regular service intervals of 6 weeks with BPW special long life grease ECO-Li Plus in order to adhere to the warranty terms and conditions.

On the BPW self steer axle, the warranty period offered is 2 years.

SELF STEER AXLE MAINTENANCE PROCEDURE

Kingpin bushing and steering thrust washer wear limit for BPW LL series self steer axles.



Note:
Class 2-3 grease required for king pin lubrication.
(BPW ECO Li91) (BPW ECO Li Plus)

